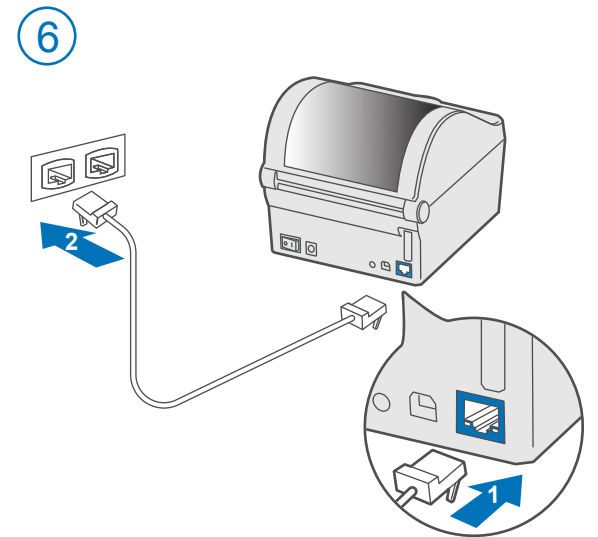
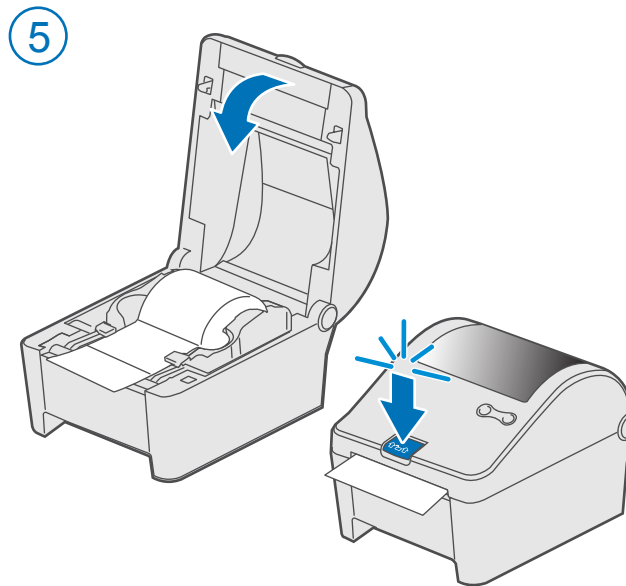
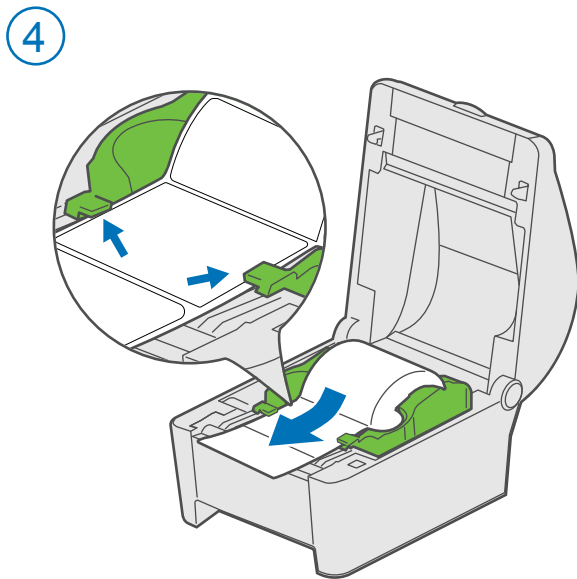
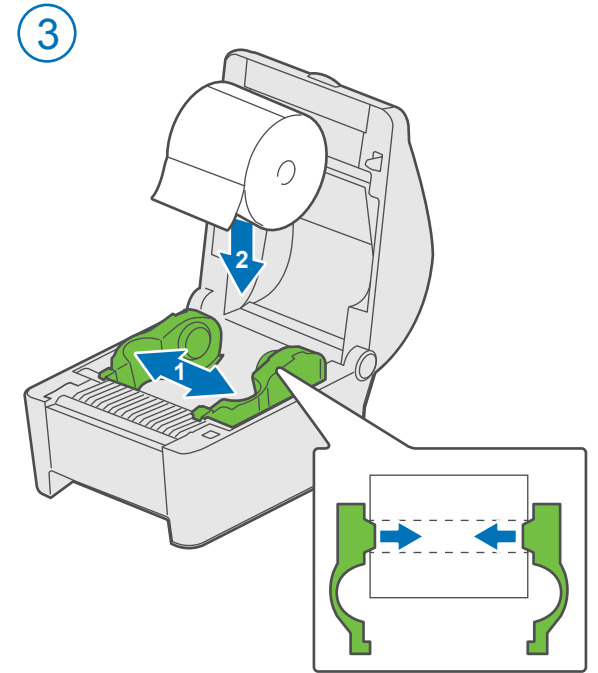
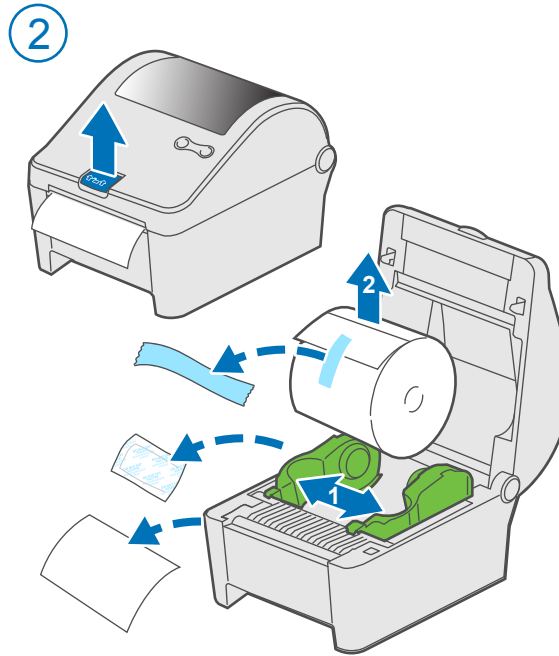
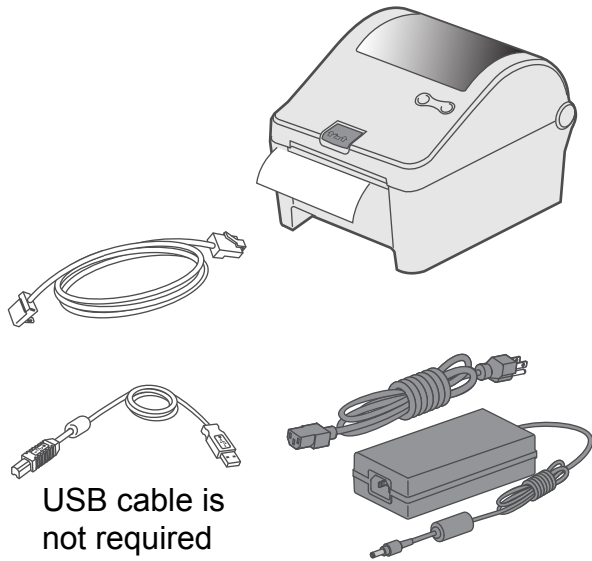
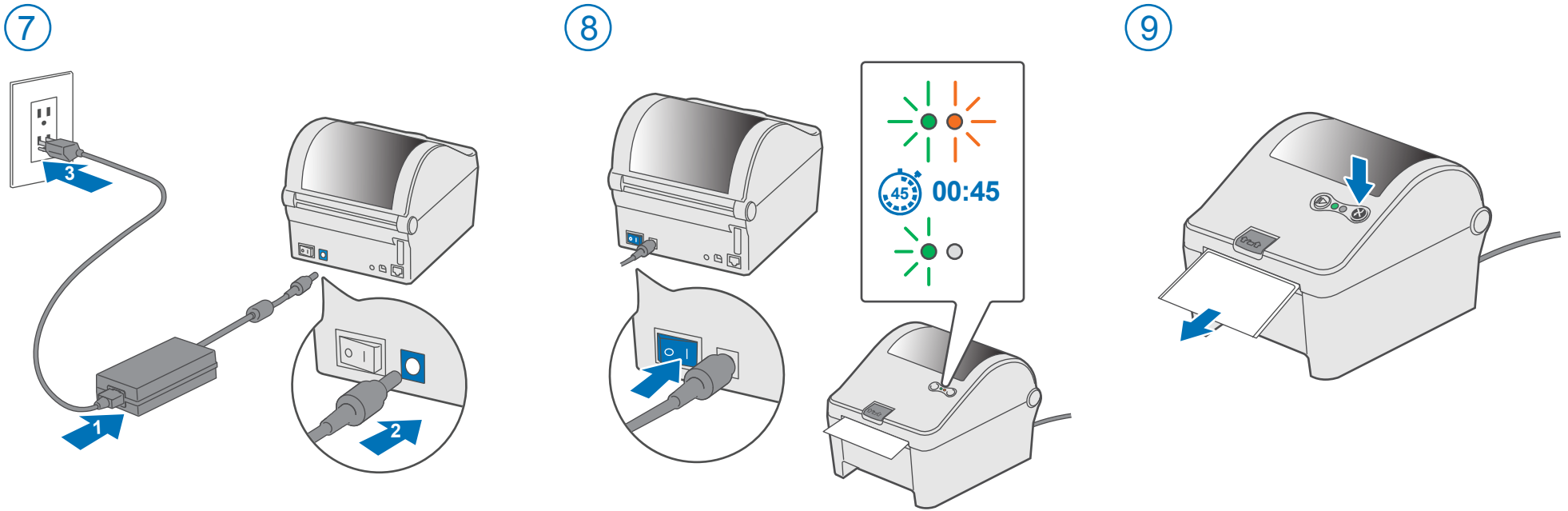


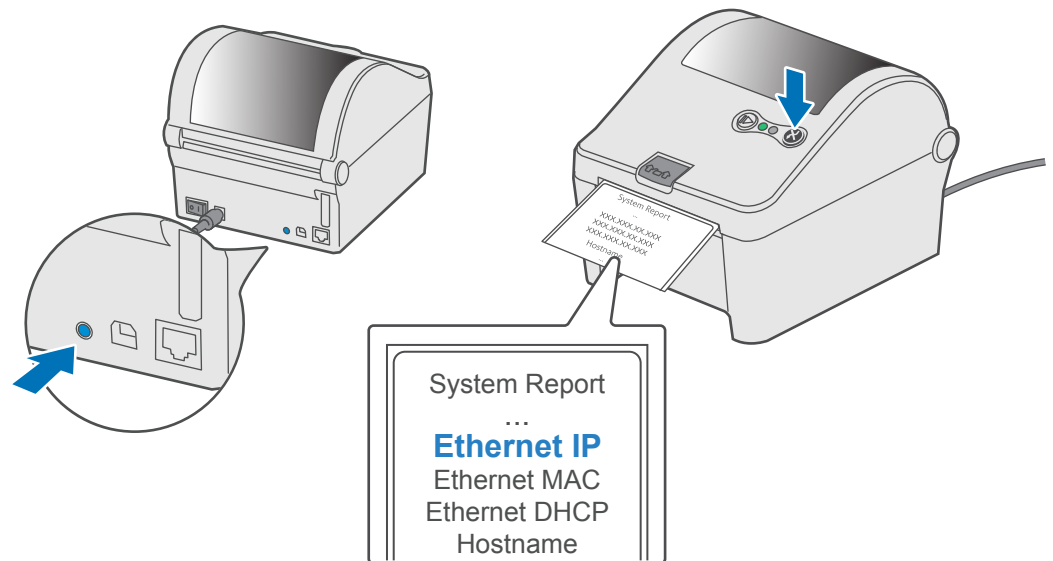
1 **Unpack Items**





10 Print the System Report to obtain the IP address assigned to the label printer.

- a. To print the System Report, simultaneously press and release the two buttons shown in illustrations.
- b. Keep the printed report which will be needed later in the installation process.



- 11 Go to [support.pb.com/workstation](http://support.pb.com/workstation) to download the Windows printer driver. Once downloaded, double click on downloaded Setup.exe to run the Seagull Windows Printer Driver for the Workstation w1110 printer.

[support.pb.com/workstation](http://support.pb.com/workstation)

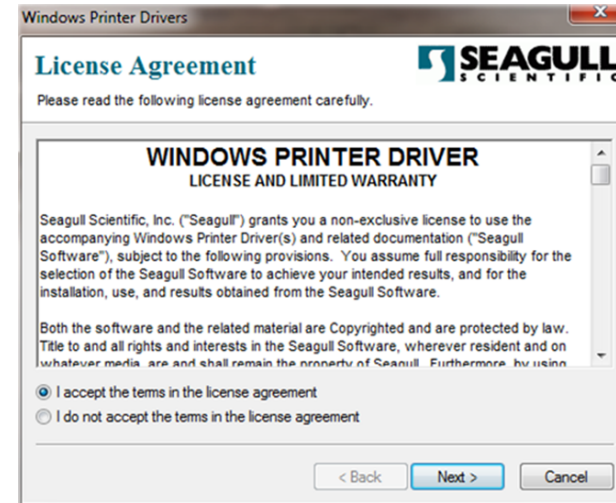
Support for Workstation w1110 Label Printer



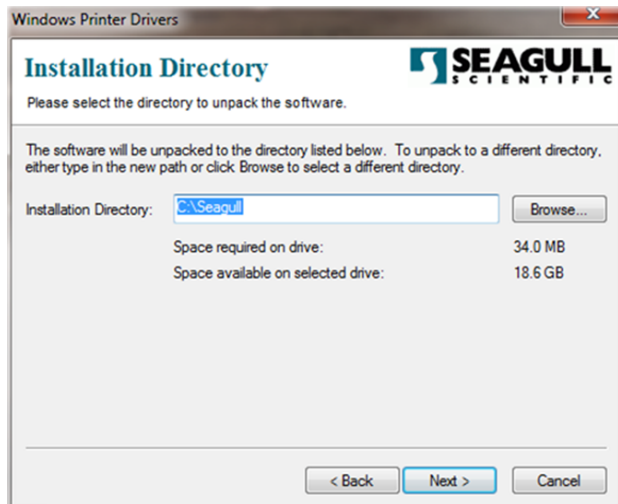
Downloads

Download Drivers for Workstation w1110 Label Printer

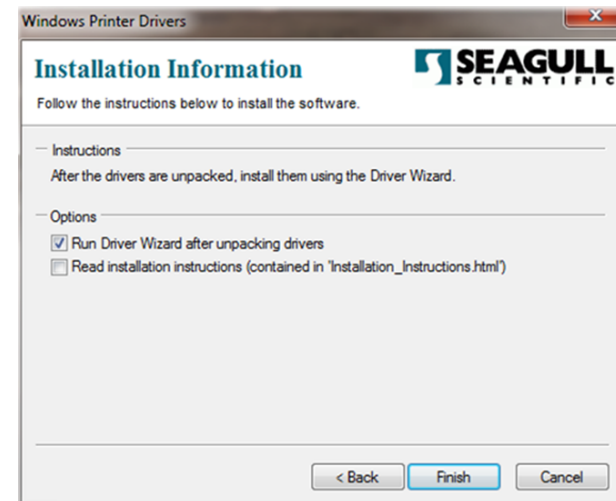
- 12 Review and **accept** the license agreement, and then select **Next**.



- 13 Select **Next** if default location for files is acceptable, or browse and select alternate location.



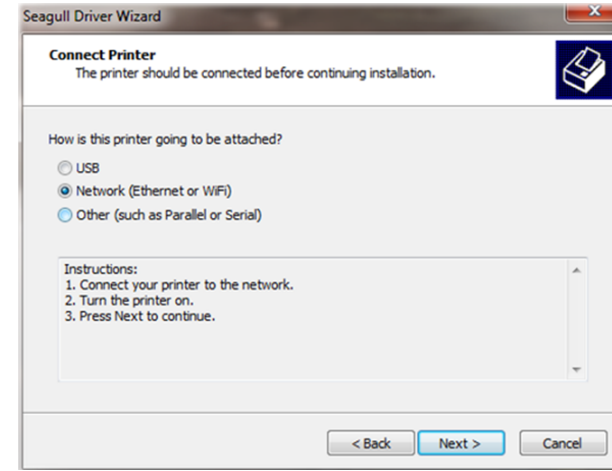
- 14 Select **Finish** to run the Driver Wizard.



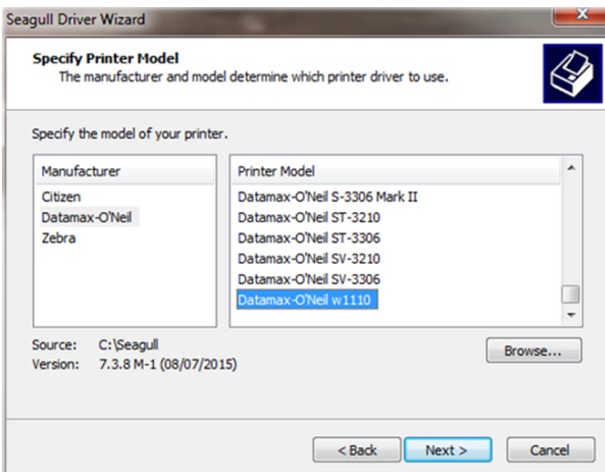
15 Select **Next** to install print driver.



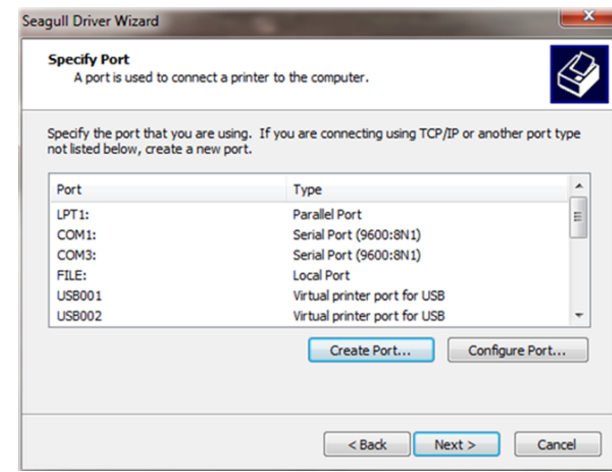
16 Select **Network** and press **Next**.



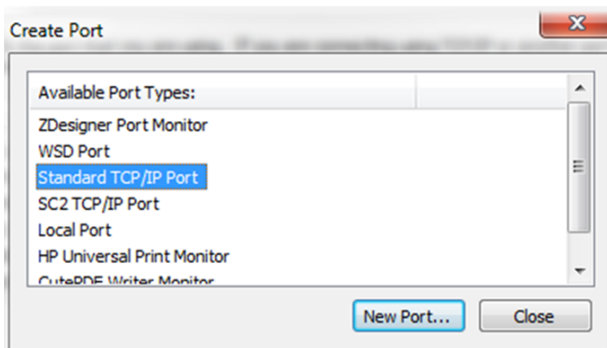
17 Select **Datamax-O'Neil w1110** printer model.



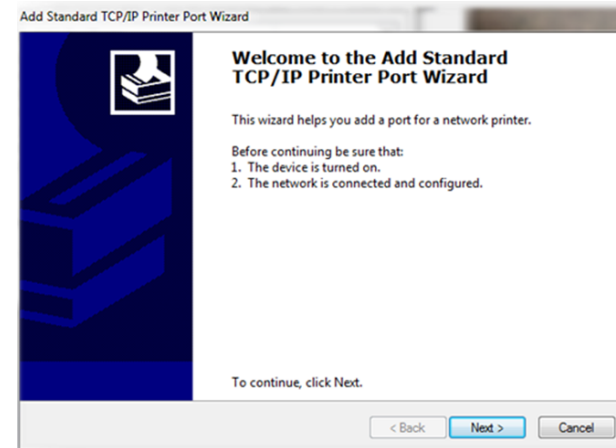
18 Select **Create Port**.



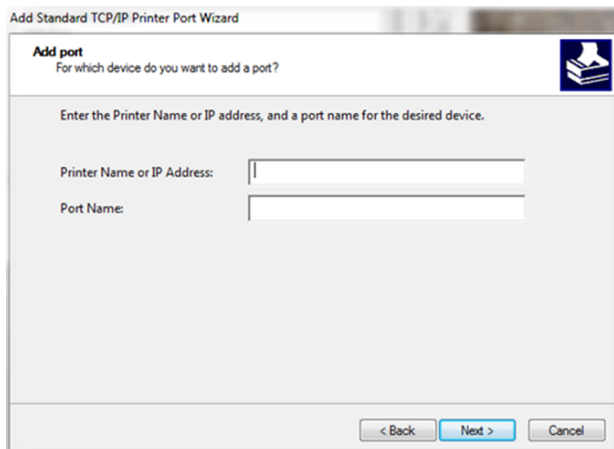
- 19 Select **Standard TCP/IP Port** and click **New Port**.



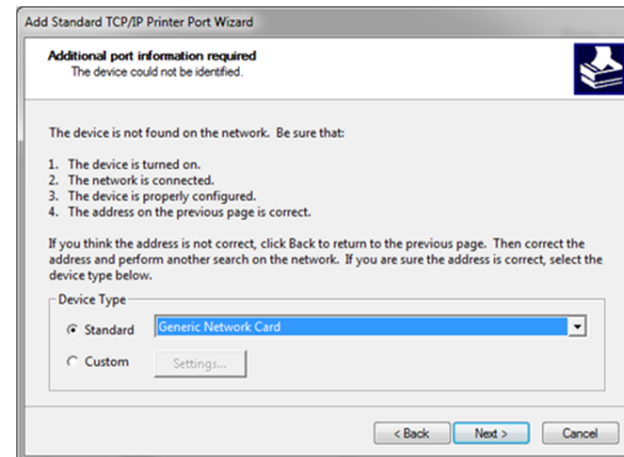
- 20 Select **Next** to run Printer Port Wizard.



- 21 Enter the Ethernet IP from the System Report printed in Step 10b above and select **Next**.  
Note: The Port Name will automatically be populated with a default value.

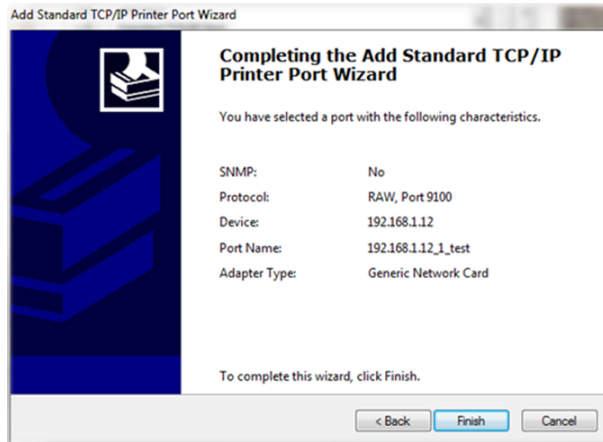


- 22 Windows Wizard will try to automatically find the device. If not found, Select **“Generic Network Card”** from the drop-down menu and select **Next**.

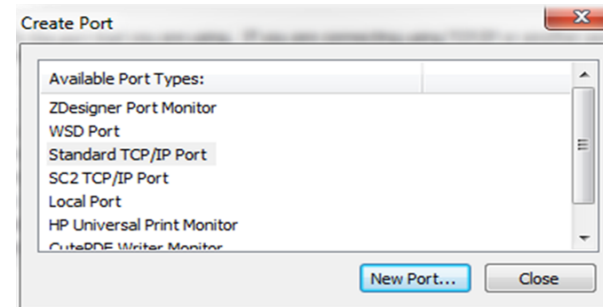


- 23 Select **Finish** to complete the Printer Port Wizard and return to driver installation.

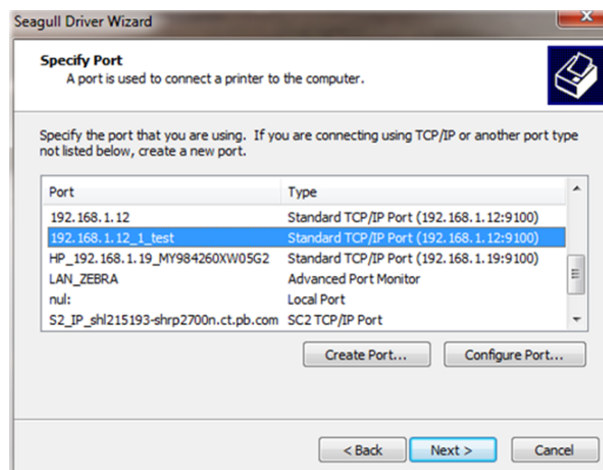
Note: The Device and Port Name in the image below will be the values from step 21 above.



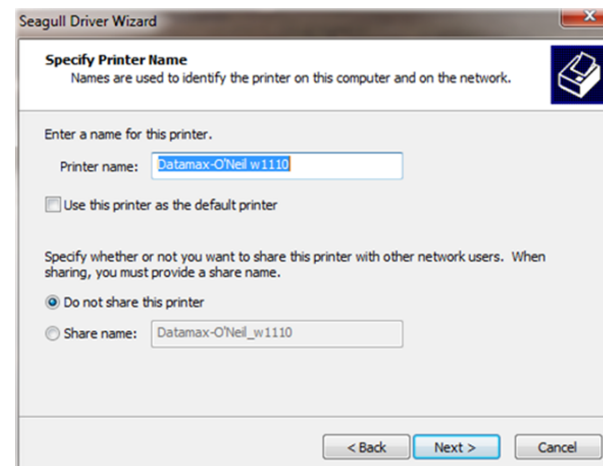
- 24 Select **Close**.



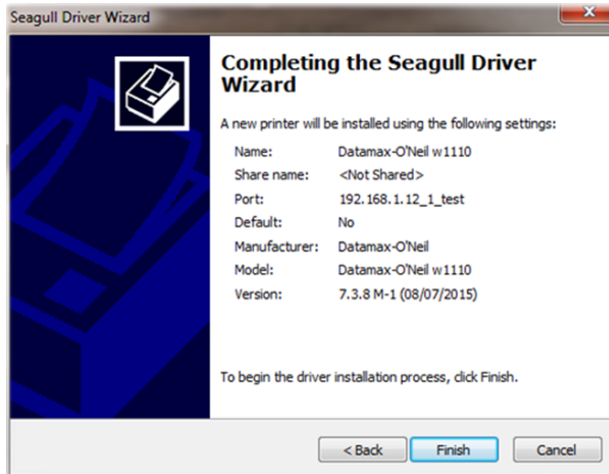
- 25 The Wizard will return to the Specify Port screen. Use the vertical scroll bar to **view and confirm** the new port created is present, and then select **Next**.



- 26 Select **Next** to accept the default printer name.



- 27 Select Finish to complete the Wizard and begin using your printer.



Need Additional Assistance?  
Visit [support.pb.com/Workstation](http://support.pb.com/Workstation)